

**MRC series**  
**S2-S**  
**Socket for 8-pin standard relay according to IEC 67-I-5B**

<b>Type</b>	<b>S2-S</b> 2-pole, 2 connection level Coding ring optional Integrated retaining clip and labelling space
<b>Rated current</b>	<b>10 A</b>

**Specifications**

Rated load	10 A/300V
Insulation	Test voltage V rms 1 min
- All terminals/DIN rail	2,5 kV
- Terminal/terminal	2,5 kV
Cross-section of connecting wire	
- Single-wire	4 mm <sup>2</sup> or 2 x 2,5 mm <sup>2</sup>
- Multi-wire	22 - 14 AWG
Max. screw torque	1,2 Nm
Screw dimensions	M3, Pozi, slot
Integrated retaining clip/plastic	for relay series C2 detachable
Labelling space	1...8; DIN/EN
Connection label	
Mounting	DIN rail T35 or mounting plate
<b>Ambient temperature operation/storage</b>	<b>-40 (no ice)...60 °C / -40 ... 80 °C</b>

**Associated, plug-in 8-pin MRC relays**

**C2-A, C2-G, C2-T**  
 Suitable for holding the Releco coding ring  
 For coding the relay and the socket.

**Accessories**

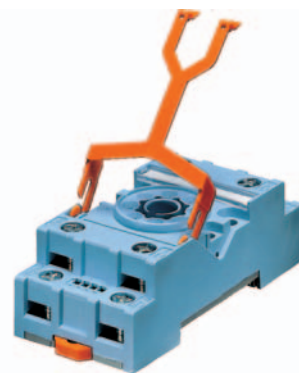
Coding ring, blue set:

**S2-BC**

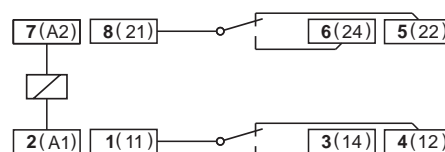
Packaging unit: 5 pcs

Retaining spring, steel

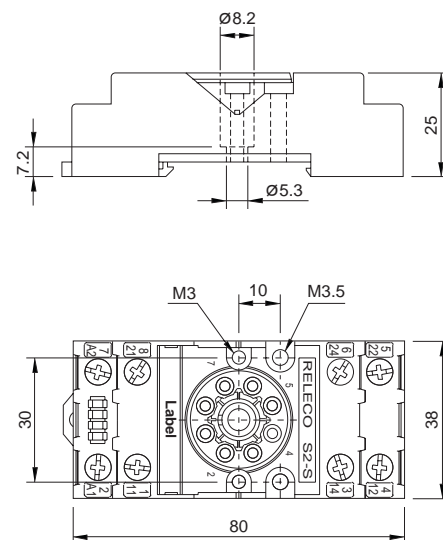
**S3-C, S3-CT** (with Timecube)



**Connection diagram**



**Dimensions [mm]**



**Technical approvals, conformities**



EN 60947-1, EN 61810-5



**Kühn Controls AG**

**Notes:**

You want more information about this product, please call us: tel: +49 (0)7082-940000 or send us a fax: +49 (0)7082-940001, or email: [sales@kuehn-controls.de](mailto:sales@kuehn-controls.de) or visit our Website: [www.kuehn-controls.de](http://www.kuehn-controls.de)