

Table 1 Electrical life, ops x 10⁶

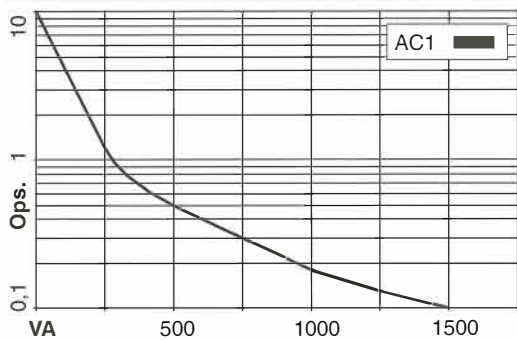
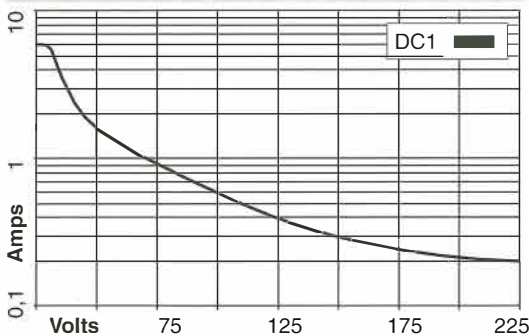
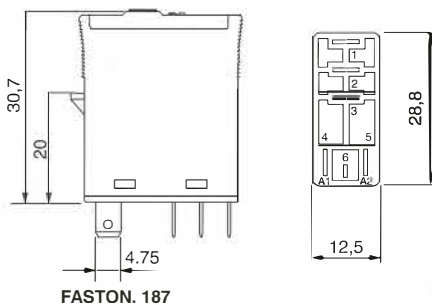


Table 2 Max. DC load



Dimensions mm.



C14-T13



One change-over twin contact

6A 250V AC1 0,5A 110V DC1
6A 30V DC1 0,2A 220V DC1

Contacts

Materials : Standard, code **3** AgNi + 3µ Au
 Optional , code **2** AgNi + 10µ Au
 Max. switching current 6 A
 Max. peak inrush current (20 ms.) 15 A
 Max. switching voltage 250 V
 Max. AC load (Table 1) 1,5 KVA
 Max. DC load See Table 2

Coils (Ohms ± 10% @ 20°C)

Pull-in voltage ≤ 0,8 x Un
 Drop-out voltage ≥ 0,1 x Un
 Nominal coil power 1,1 VA (AC) / 0,7 W (DC)

Vac	Ω	mA	Vdc	Ω	mA
24	290	45	12	224	53
48	1.200	23	24	742	32
115	7.300	9,5	48	3.500	13,7
230	28.800	4,7	110	19.900	5,5

Insulation

Dielectric strength (1 minute):
 Open contacts 1.000 V
 Between contacts and coil 5 KV
 Isolation resistance at 500V > 3GΩ
 Isolation, IEC 61810-5: 4 KV / 3

Specifications

Operate time + bounce time 10 ms.
 Release time + bounce time 8 ms.
 Ambient temperature -40°C (no ice) ... +70°C
 Mechanical life ops. 10 Mio. AC, 20 Mio. DC relays
 Electrical life at nominal load >100.000 ops.
 Operating frequency at nominal load 1.200 / hour
 Protection grade IP40 / RT1
 Weight avg. 21 gr.

Standard types

AC 50 Hz, (60 Hz): 24, 48, 115, (120), 230, (240)

DC 12, 24, 48, 110
 C14-T13 Vac
 C14-T13 Vdc

The small size of type C14 ... does not allow to carry LED nor mechanical indication, nor testing button.



IEC 61810 EN 60947



Kühn Controls AG

Notes:

You want more information about this product, please call us: tel: +49 (0)7082-940000 or send us a fax: +49 (0)7082-940001, or email: sales@kuehn-controls.de or visit our Website: www.kuehn-controls.de