

C14-GT13



One pole, twin open contact

6A 250V AC1
6A 30V DC1

0,8A 110V DC1
0,4A 220V DC1

Contacts

Materials :	Standard, code 3	AgNi + 3μ Au
	Optional, code 2	AgNi + 10μ Au
Max. switching current		6 A
Max. peak inrush current (20 ms.)		15 A
Max. switching voltage		250 V
Max. AC load (Table 1)		1,5 KVA
Max. DC load		See Table 2

Coils (Ohms ± 10% @ 20°C)

Pull-in voltage	≤ 0,8 x Un
Drop-out voltage	≥ 0,1 x Un
Nominal coil power	1,1 VA (AC) / 0,7 W (DC)

Vac	Ω	mA	Vdc	Ω	mA
24	290	45	12	224	53
48	1.200	23	24	742	32
115	7.300	9,5	48	3.500	13,7
230	28.800	4,7	110	19.900	5,5

Table 1 Electrical life, ops x 10⁶

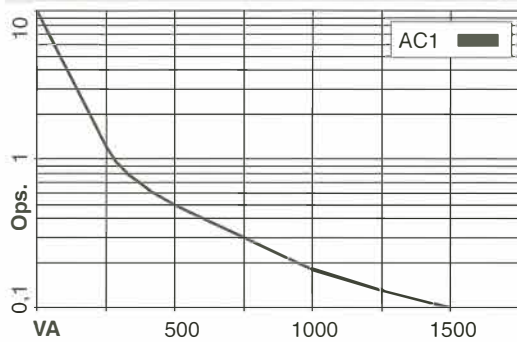
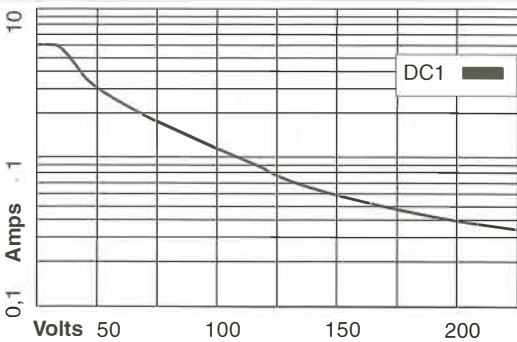


Table 2 Max. DC load



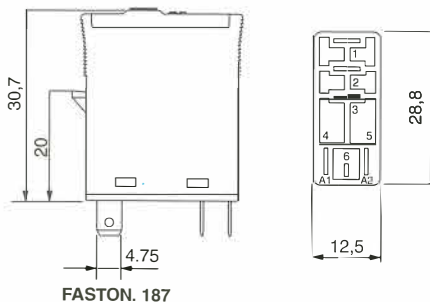
Insulation

Dielectric strength (1 minute):	
Open contacts	2.000 V
Between contacts and coil	5 KV
Isolation resistance at 500V	>3GΩ
Isolation, IEC 61810-5:	4 KV / 3

Specifications

Operate time + bounce time	10 ms.
Release time + bounce time	8 ms.
Ambient temperature	-40°C (no ice) ... +70°C
Mechanical life ops.	10 Mio. AC, 20 Mio. DC relays
Electrical life at nominal load	>100.000 ops.
Operating frequency at nominal load	1.200 / hour
Protection grade	IP40 / RT1
Weight avg.	21 gr.

Dimensions mm.



Standard types

AC 50 Hz, (60 Hz): 24, 48, 115, (120), 230, (240)

C14-GT13 Vac

DC 12, 24, 48, 110

C14-GT13..... Vdc

The small size of type C14 ... does not allow to carry LED nor mechanical indication, nor testing button.



IEC 61810 EN 60947



Kühn Controls AG

Notes:

You want more information about this product, please call us: tel: +49 (0)7082-940000 or send us a fax: +49 (0)7082-940001, or email: sales@kuehn-controls.de or visit our Website: www.kuehn-controls.de